

LPD FM TRANSCEIVER	IC-4088E	(Europe)
PMR446 FM TRANSCEIVER	IC-4088SR	(Europe)
FRS FM TRANSCEIVER	IC-4088A	(U.S.A.)
UHF CRS FM TRANSCEIVER	IC-4088S	(Australia)



Icom proudly announces the debut of the IC-4088 series. With a model to meet the major license free specifications throughout the world, this successor to the IC-4008 series brings improved performance and user-friendliness to this market category. New looks, features and communication performance in one simple palm-sized unit.

MAJOR SELLING POINTS

- **License free communications**
(Simple license is required in some countries)
- **External DC power jack**
- **Built-in voice scrambler**
(Not available with some versions)
- **Rugged construction and high performance antenna**
- **Simple to use for everyone**
- **Splash resistant construction**
(Equivalent to JIS Grade 4)

FEATURES

Rugged construction and high performance antenna

The IC-4088 series is a new stylish design, but is also rugged enough for light commercial use. The 1/4 wave length fixed antenna allows for higher gain to extend the communication range further.

External DC power jack

An external DC power jack has been added to allow for operation with the AC adapter, BC-149A/D and the cigarette lighter cable, CP-18A/E. When the BP-202 is installed, it is charged and simultaneous operation during charging is also possible. This way you can use the IC-4088 series where ever, whenever you like.

FEATURES

Built-in voice scrambler

The IC-4088 series has simple voice scrambler capability built-in (voice inversion type). This provides secure private communication allowing the use of the IC-4088 in specific applications without the inconvenience of being overheard.

* Not available with some versions.

Simple to use for everyone

Only 5 buttons and a volume knob allows you quick access and instant contact. The large, easy-to-see LCD shows channel numbers and information icons at a glance. This emphasis on simplicity and practicality allows the user immediate out-of-the-box operation.

Economical three alkaline cells

The IC-4088 series requires only 3 alkaline cells for its power supply. A rechargeable Ni-Cd battery pack, BP-202 and rapid charger, BC-119N is also optionally available. Operating time of 65 hours* with alkaline cells and 20 hours* with BP-202 is possible.

* IC-4088E only, Duty cycle Tx:Rx:Stand-by=1:1:8

Splash resistant construction

The compact* and splash resistant* construction makes the IC-4088 series ideal for outdoor use. Perfect for uses from light commercial to recreational applications.

* 55.5×102.5×26.5mm, 180g. Equivalent to JIS Grade 4.

Built-in CTCSS encoder and decoder

CTCSS encoder and decoder are standard in group mode, providing quiet stand-by while waiting for a matched tone signal. 38 CTCSS tone frequencies are available, allowing for simple group use to distinguish you and your colleagues from the general radio traffic.

Automatic transponder system

This function automatically checks the communication availability on the same channel, and alerts you with an icon on the display. This function gives you an indication of the communication range, and if you are in the contact area of the person you wish to communicate with.

Smart-ring function

'Smart-ring' function is used in group mode operation and manually checks the communication availability of your group members, and informs you with a beep sound when a member of your group answers the call.

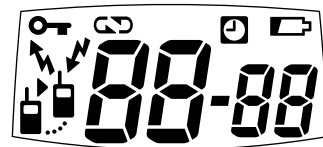
Call-ring function

'Call-ring' is used for manually sending a ring tone instead of a voice call. Ten different ring types are available.

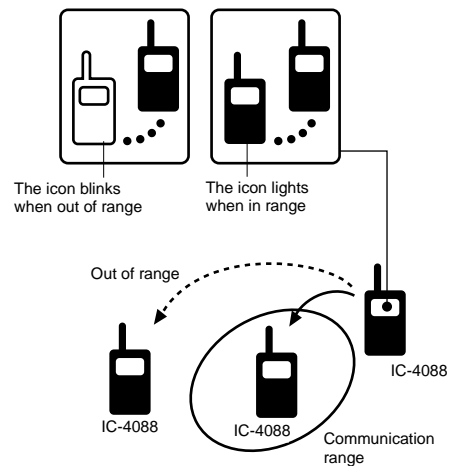
Other features

- Power save function
- Low battery indicator
- Automatic power-off timer (0.5–2 hours)
- Scan function
- PTT hold function*
- Variable time-out-timer* (1–30 minutes)

* Not available with some versions.



LCD Layout



Automatic transponder system

SPECIFICATIONS

The specifications described below are target values. They may be subject to change.
DO NOT incorporate this information in your advertisements until it has been confirmed.

Model Name	IC-4088E (LPD for Europe)	IC-4088SR (PMR 446 for Europe)	IC-4088A (FRS for U.S.A.)	IC-4088S (CRS for Australia)
Frequency range (MHz)	433.075–434.775	446.00625–446.09375	462.5625–467.7125	476.425–477.400
Mode	FM	FM	FM	FM
No. of channels	69 (simplex)	8 (simplex)	14 (simplex)	40 (8 semi-duplex Ch.)
No. of group codes	38	38	38	38
Output power	10mW (500mW w/mod)	Less than 500mW	Less than 500mW	Less than 500mW
Channel spacing	25kHz	12.5kHz	12.5kHz	25kHz
Frequency stability	±2.5kHz, ±5.7ppm	±2.5kHz, ±5.6ppm	±1.7kHz, ±4.0ppm	±3.0kHz
Operating temp. range	–10°C to +55°C	–20°C to +55°C	–10°C to +50°C	0°C to +55°C
Antenna impedance	50Ω (Antenna is not replaceable)			
Dimensions (W×H×D)	52.5×102.5×26.9 mm (projections not included)			
Weight	200g (with alkaline cells)			
Battery requirements	3×AA (R6) alkaline cells ; or optional BP-202			
External power supply	6.0V DC ±5% (BC-149A/D or CP-18A/E only)			
Battery life (Tx:Rx:Stand-by=1:1:8):				
Alkaline cells	approx. 65 hours	TBA	TBA	TBA
BP-202	approx. 20 hours	TBA	TBA	TBA
Current drain (at 4.5V DC)	Less than 140mA	Less than 500mA	Less than 500mA	Less than 500mA
Audio output	More than 100mW at 10 % distortion with an 8Ω load			
External mic. connector	3-conductor 2.5 (d) mm/2.2kΩ			
External Sp. connector	3-conductor 3.5 (d) mm/8Ω			
Communication range* (wide open space)	Up to 2km	Up to 3km	Up to 3km	Up to 3km

* Communication range may differ depending on operating environments, weather conditions, etc.

Measurements made in accordance with EN300-220 for IC-4088E, EN300-296 for IC-4088SR, FRS specification for IC-4088A and AS/NZS 4365–1996 for IC-4088SR.

OPTIONS

BC-149A/D* WALL CHARGER

6V DC, 1000mA output AC adapter. Enables operation while charging.

BC-119N DESKTOP CHARGER

+ **AD-105*** DESKTOP CHARGER ADAPTER

+ **BC-145A/E/UK/V** AC ADAPTER

Rapidly charges optional Ni-Cd battery pack, BP-202. Both AC and DC can be used to power the charger. Charging time: 1.5 to 2 hrs.

BP-202 Ni-Cd BATTERY PACK

3.6V/700mAh

CP-18A/E CIGARETTE LIGHTER CABLE

6V DC, 2A output from 12V cigarette lighter socket.

HM-46 SPEAKER-MICROPHONE

Compact and lightweight. Equipped with an earphone jack.

HM-75A REMOTE CONTROL MICROPHONE

Allows you to remotely select operating channels, etc.

HM-128 EARPHONE-MICROPHONE

Allows you hands-free operation by clipping the Mic. with PTT switch to your lapel or breast pocket.

HM-131 SPEAKER-MICROPHONE

Compact and durable speaker. Equipped with an earphone jack and a revolving clip.

HS-85 HEADSET

Provides hands-free operation. Includes VOX, PTT, "one-touch PTT" (TOT).

VS-1 PTT/VOX CASE

+ **HS-94** EARHOOK-HEADSET

or **HS-95** BEHIND-THE-HEAD HEADSET (W/Boom mic)

or **HS-97** THROAT-MICROPHONE

Separate VOX/PTT unit is required additionally when using one of these headset/microphone units.

*New options.